



MURANO

Glass roof systems

**PURO – VETRO – INTEGRALE
GLASS WALLS**



“...making the evenings longer!”



*Just
enjoy life!*

Lewens
MARKISEN

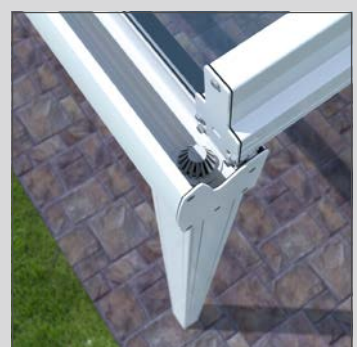
"It's kite-flying weather today!"



CONTENTS

GLASS ROOF SYSTEMS Overview	5
MURANO PURO	6 - 7
MURANO VETRO	8 - 9
MURANO INTEGRALE	10 - 11
GLASS WALLS (add-on product)	12 - 13
OPTIONS	14 - 15
ADD-ON PRODUCTS	16
SYSTEM in detail	17
TECHNICAL DATA, FITTING/SECTIONAL VIEWS	18 - 22
FRAME COLOURS	23
AWNING FABRICS	23

**23 FRAME COLOURS
AT NO EXTRA CHARGE!**



CLEVER DESIGN



“... and the patio is always in season!”

Who doesn't love to sit out on the garden patio and enjoy the charms of nature? A glass roof or conservatory gives you independence from the weather all year round, along with the feeling of being outdoors – and shade from the sun means that even hot summers are bearable. For light moments and a clear view.

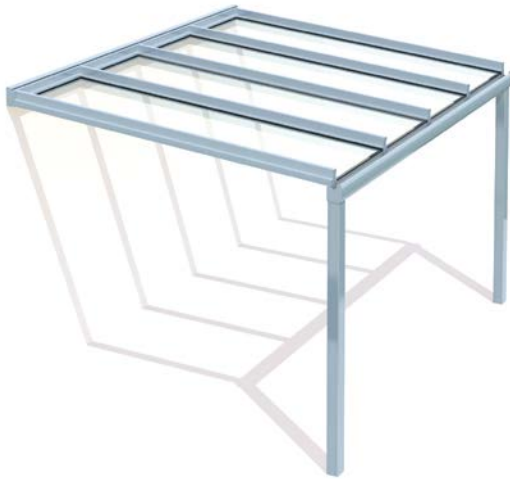
GLASS ROOF SYSTEMS

Maybe you like stargazing at night; perhaps you like to count snowflakes in winter, or to have the feeling of being outdoors, even in a summer cloudburst. Whatever your preference, glass roofs and conservatories always create a unique living space.

And when the light or the heat becomes too intense, Lewens awnings provide shade – as much or as little as you desire!

A glass roof pure and simple, or with a sunshade – choose your favourite model:

MURANO PURO



The perfect **budget solution** for use on small and medium-sized patios and areas close to the house: up to max. 540 cm wide and 350 cm deep. Available as **FLUSH** type with posts laterally flush or recessed. *

Read **more on page 6**.

MURANO VETRO



Glass roof creating a canopy for patios and areas close to the house, for protection from the weather and a clear view.

Available as a **FLUSH** type with posts in line with the front profile, or as an **OVERHANG** type with recessed posts. *

Read **more on page 8**.

MURANO INTEGRALE with integral awning



Glass roof with integral roof-mounted awning for patios and areas close to the house, offering combined protection from the weather and shade from the sun.

Also available as a **FLUSH** type with posts in line with the front profile, or as an **OVERHANG** type with recessed posts. *

Read **more on page 10**.

GLASS WALLS



Sliding glass panel walls are the perfect complement to glass roofs and can be used as wind and weather protection at the **sides** (with cross member / triangular infill) and/or **front**.*

Also suitable for enclosed seating niches.

Read **more on page 12**.

* Please refer to the technical data in the current Lewens price list for possible dimensions and restrictions.

MURANO PURO



"Beautifully designed..."



"... my hobby room all year round!"

Creating a new living space is simple: the MURANO PURO glass roof turns even small patios into a favourite haunt in any weather and is sturdy, versatile and attractively priced.

The perfect shelter for all seasons: the MURANO PURO glass roof extends your living area and offers protection from the elements so that you can enjoy your patio all year round. No matter whether you fancy a winter barbecue or like tinkering with your bike on a drizzly afternoon, the MURANO PURO is the ideal partner for organising your leisure time.

With posts in line with the front profile and an integral gutter, the MURANO PURO maximises the space available. The glass roof can have **laterally flush or recessed posts** to suit your preference or the structural conditions. With a maximum width of 540 cm and a depth of 350 cm, the MURANO PURO is suitable for small to medium-sized patios. The elegant structure can be installed on virtually any patio. *

Want some additional features? Just choose your optional extras:

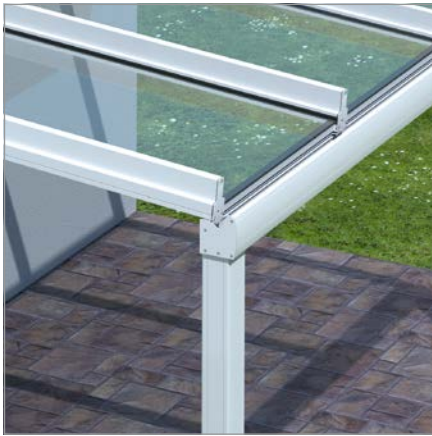
Options

- ▶ Glass walls
- ▶ Radiant heater

- ▶ LED lighting

More info on page 12 and 14/15.

* Please refer to the technical data in the current Lewens price list for possible dimensions and restrictions and for the complete list of electronic accessories.



FLUSH TYPE

On this model the **posts are in line with the front profile and the gutter**. This creates a compact, modern shape that maximises the utilisable space available underneath the glass roof.

With this roof type the rainwater drains via the purlins, the rain gutter and down the inside of the post.



Flush wall fitting: uneven areas can easily be compensated for.



The discreet projection of the rafters over the gutter is virtually invisible.



Pure style: rain gutter with flat end cap



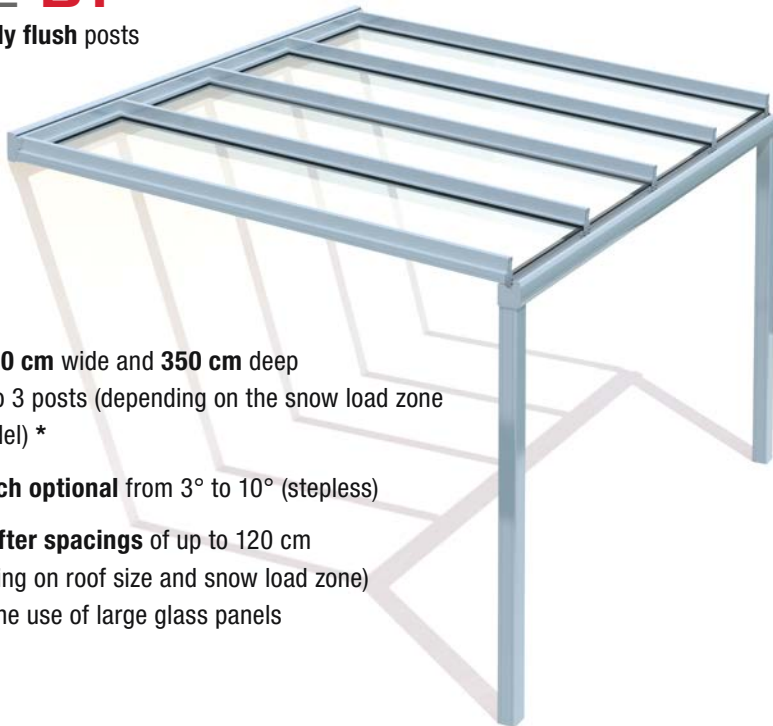
Rainwater drains via the gutter and downpipes integrated into the posts.



Optional vertical awnings on the front for privacy and shade from the sun

TYPE B1

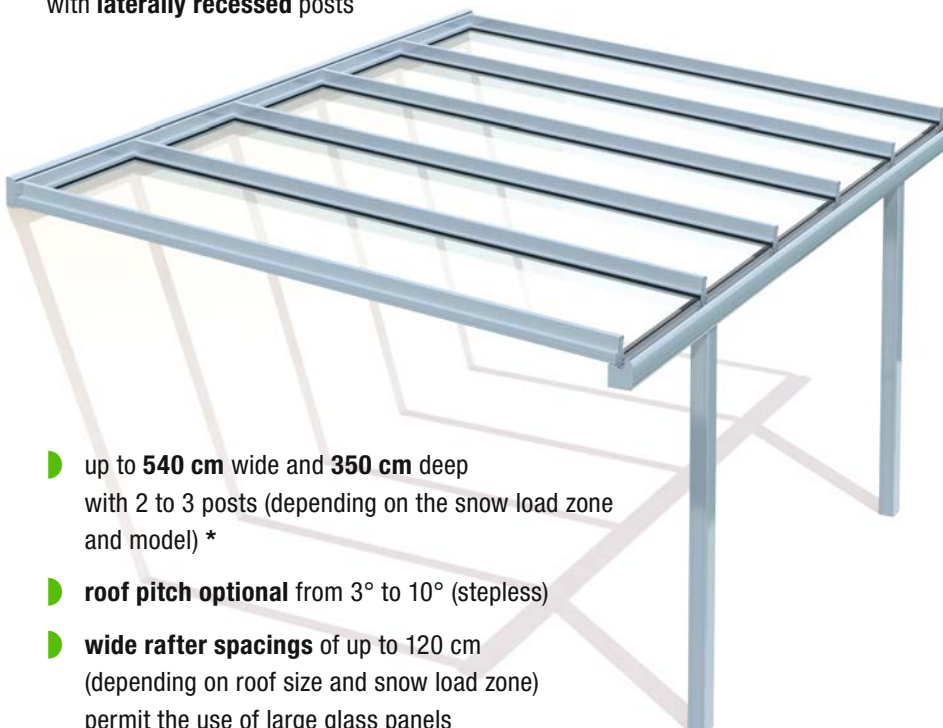
with laterally flush posts



- ▶ up to **540 cm** wide and **350 cm** deep with 2 to 3 posts (depending on the snow load zone and model) *
- ▶ **roof pitch optional** from 3° to 10° (stepless)
- ▶ **wide rafter spacings** of up to 120 cm (depending on roof size and snow load zone) permit the use of large glass panels

TYPE B2

with laterally recessed posts



- ▶ up to **540 cm** wide and **350 cm** deep with 2 to 3 posts (depending on the snow load zone and model) *
- ▶ **roof pitch optional** from 3° to 10° (stepless)
- ▶ **wide rafter spacings** of up to 120 cm (depending on roof size and snow load zone) permit the use of large glass panels

MURANO VETRO



*"If Mum knew
that I'd been
snacking again...!"*



*"...but it was
delicious!"*

8

Whether you're enjoying the evening sun, listening to the patter of raindrops or watching snowflakes drift gently down, the MURANO VETRO glass roof creates the perfect retreat for the whole family, from early morning to late at night, January to December!

In the MURANO VETRO glass roof you have the perfect protection from the weather at any time of the year, allowing you to extend the patio season. No matter whether you fancy a winter barbecue or want to inhale the fresh scent of a rainy day, MURANO VETRO is the perfect solution.

Choose your favourite: the **FLUSH** model with posts in line with the front profile and integral gutter, or the **OVERHANG** model with recessed posts. Both models are also available with posts positioned laterally inwards. With a maximum width of 700 cm and a depth of 500 cm, the MURANO VETRO is suitable as a single unit for fairly large patios and as a linked system for even greater widths. The elegant structure can be installed relatively easily on virtually any patio. *

Options

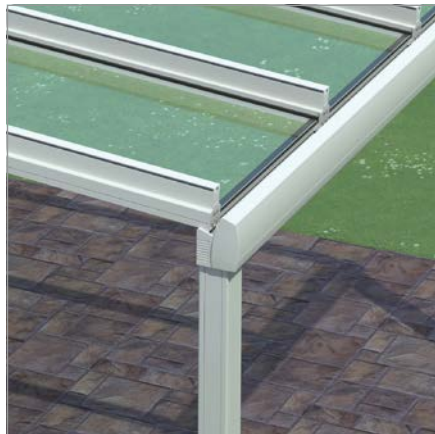
- ▶ Glass walls
- ▶ LED lighting
- ▶ Patio heater

More info on page 12 and 14/15.

* Please refer to technical data in the current Lewens price list for possible dimensions and restrictions and for the complete list of electronic accessories.



- ▶ **Roof pitch optional** from 3° to 20° (stepless)
- ▶ **Wide purlin spacings** up to 120 cm (depending on the design, unit size and snow load zone) permit the use of large glass panels
- ▶ **Width up to 700 cm**, depth up to **500 cm**, with 2 to 3 posts (depending on the snow load zone and desired model) *
- ▶ Available as linked system from **701 cm** in width *



FLUSH TYPE

with **posts in line with the front profile**: compact and modern for maximum space utilisation under the glass roof.

On this type the rain gutter is in line with the posts.

Rainwater drains via the purlins, the rain gutter and down the inside of the post.



OVERHANG TYPE

with **recessed posts**: the posts can stand on the paved patio and the roof overhang can be taken out beyond these. A rain chain of high-grade steel is also supplied, as rainwater cannot drain down through the posts.



Glass walls can be added as an optional extra for wind protection.



Optional vertical awnings on the front for privacy and shade from the sun

* Please refer to the technical data in the current Lewens price list for possible dimensions and restrictions.

MURANO INTEGRALE



"Now our house has an extra room!"



"We can all enjoy it!"

It's as versatile as the weather and seasons demand. MURANO INTEGRALE offers variable protection from the rain, the temperature and too much sun. A glass roof with an integral awning – when the sun moves, the shade moves with it. All in all, a very practical solution.

With an awning integrated into the wall profile, MURANO INTEGRALE combines the transparency and weather protection of a glass roof with the advantages of a high-quality, practical sunshade.

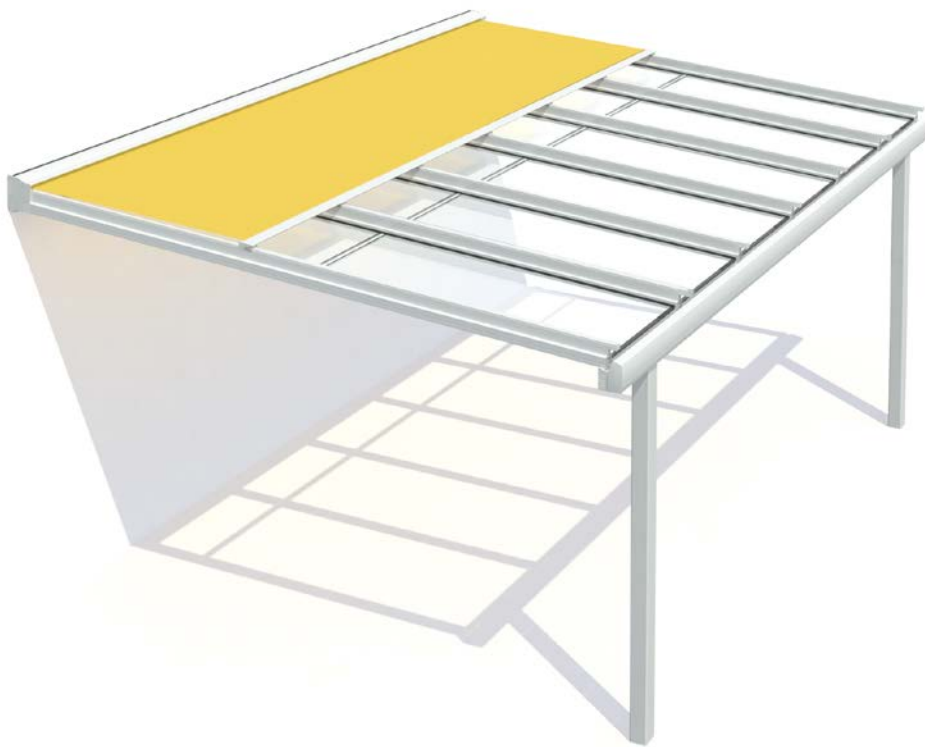
Choose your favourite: the **FLUSH** model with posts in line with the front profile and integral gutter, or the **OVERHANG** model with recessed posts. Both models are also available with posts positioned laterally inwards. With a maximum width of 700 cm and a depth of 500 cm, the MURANO INTEGRALE is suitable as a single unit for fairly large patios and as a linked system for even greater widths. The elegant structure can be installed relatively easily on virtually any patio. *

Options

- ▶ Glass walls
- ▶ Radio remote control
- ▶ Automatic weather monitoring *
- ▶ Patio heater
- ▶ LED lighting

More info on page 12 and 14/15.

* Please refer to technical data in the current Lewens price list for possible dimensions and restrictions and for the complete list of electronic accessories.



- **Roof pitch optional** from 3° to 20° (stepless)
- **Wide purlin spacings** up to 120 cm (depending on the design, unit size and snow load zone) permit the use of large glass panels
- **Width up to 700 cm**, depth up to **500 cm**, with 2 to 3 posts (depending on the snow load zone and desired model)*
- Available as linked system from **701 cm** in width *



FLUSH TYPE

with **posts in line with the front profile** for maximum space utilisation under the glass roof.

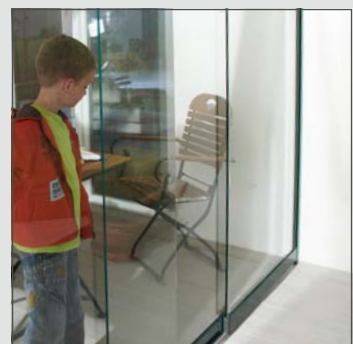
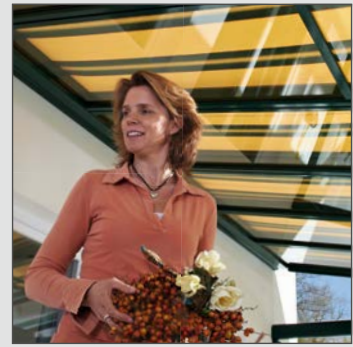
On this type the rain gutter is in line with the posts.

Rainwater drains via the purlins, the rain gutter and down the inside of the post.



OVERHANG TYPE

with **recessed posts**: the posts can stand on the paved patio and the roof overhang can be taken out beyond these. A rain chain of high-grade steel is also supplied, as rainwater cannot drain down through the posts.



Glass walls can be added as an optional extra for wind protection.



Optional vertical awnings at the front for privacy and shade

GLASS WALLS



*"...calm weather
on demand!"*

Glass walls instead of braving the elements:

GLASS WALL solutions from Lewens turn glass roofs and enclosed seating niches into a sheltered refuge. The wind only rustles the leaves and not the tablecloth!

Glass roofs can be provided with high-transparency glass walls to give sturdy, reliable protection against the elements.

The walls consist of 2 to 10 sliding glass panels that run on 2, 3, 4 or 5 guide rails at the bottom. The walls can be opened and closed optionally from the sides (**SIDE-OPENING** type) or from the centre (**CENTRE-OPENING** type).

Options

More info on page 15.

- ▶ **Cross member** (for attachment of top running rail when using the glass wall as a side wall for the glass roof)
- ▶ **Triangular infill** (glazing of triangular opening above a side wall)
- ▶ **Wall connection profile**

* Please refer to technical data in the current Lewens price list for possible dimensions and restrictions and for the complete list of electronic accessories.



*Illustration:
MURANO VETRO type Ü1 glass roof with
SIDE-OPENING type side walls
(with options of wall connecting profile and
triangular infill with glass retainer clips)
and CENTRE-OPENING type front wall*

- For **glass roofs** and permanently enclosed **wall niches**
- For **all types and styles** of MURANO glass roofs from Lewens
- Centre-opening up to **1150 cm in width** or side-opening up to 580 cm in width*
- **Wall height max. 260 cm** (with toughened float glass 10 mm)*
- Optional **triangular infill** in different variants



TYPE SIDE-OPENING

On this type the segments for opening are **all moved to one side** to the left *or* to the right. Depending on the desired width and height, 2, 3, 4 or 5 glass panels can be installed on 2, 3, 4 or 5 rails.



TYPE CENTRE-OPENING

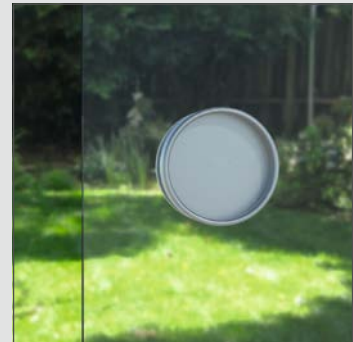
On the centre-opening type, the segments for opening are moved **apart to the left and right**. Depending on the desired dimensions, 4, 6, 8 or 10 glass panels slide on 2, 3, 4 or 5 running rails.



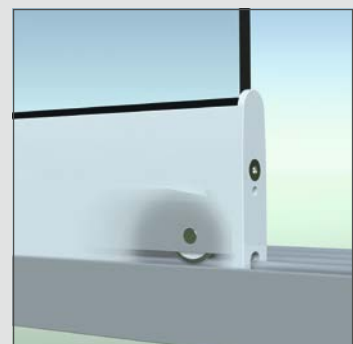
Top running rail, 3-track



Optional triangular infill – here with surrounding retaining strips and centre strut



Shapely, unobtrusive recessed handles



Quiet operation thanks to concealed ball bearing castors



Running rail, 2-track

OPTIONS

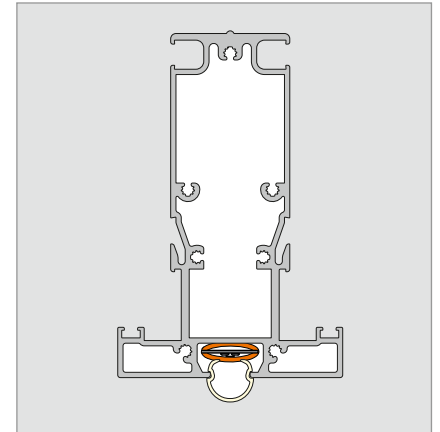
LED modules

LED modules in the rafters offer the advantage of simple retrofitting, making it easier to add extra units.

In addition, each LED module can be removed easily from the MURANO glass roof rafters at any time. No screwing or unscrewing is required.

- LED modules (175 mm) inserted into the lower groove of the rafters and covered by a diffuser panel
- Light colour:
Neutral white (3500 Kelvins)
- Includes radio dimmer and hand-held transmitter
- Number of modules:
- We recommend fitting all internal rafters with at least 1 module per metre (more or fewer modules possible up to a maximum of 4 per metre)
- **For all MURANO types**

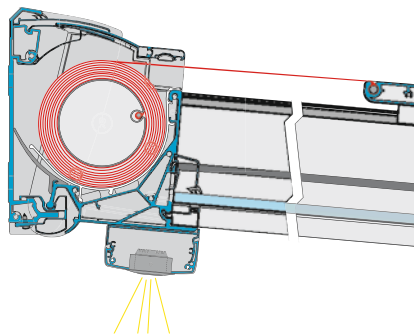
(for MURANO INTEGRALE a profile is required to accommodate the electrics. This is supplied in the frame colour.)



LED spot bar(s)



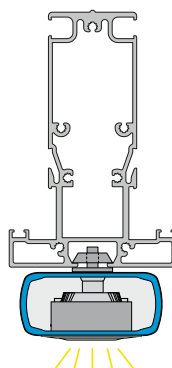
- on casing/cassette



The spot bar sits close to the wall and is fitted to the casing/cassette without any joint

- **for all MURANO models**
- optional dimmer feature (in combination with radio receiver, additional equipment)
- supplied in the frame colour

- on rafters



with a **slimmer casing shape for installation under the rafters** (all internal rafters can be fitted with spot bars)

- **for all MURANO models**
- optional dimmer feature (in combination with radio receiver, additional equipment)
- supplied in the frame colour

Cross member and triangular infill

A prerequisite for the installation of side walls is a **cross member** for attachment of the top running rail.

The **triangular opening** that is left can optionally be **glazed** to provide protection from the elements above the side walls.

See illustrations on the right.

A virtually invisible with **glass retaining strips** top and bottom

B as a “floating” attachment with **glass retainer clips**, leaving a gap all around the glass pane

C **glass retaining profiles, wall connection profile** and optional centre strut(s) form a closed frame; the wall connection profile covers the casing depth.



Option of triangular infill with glass retaining strips (A) – virtually invisible



Triangular infill with retainer clips (B) – visually attractive “floating” attachment



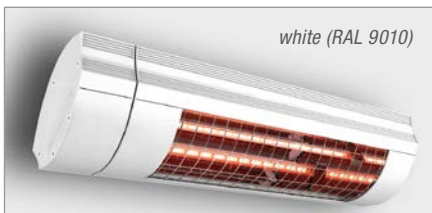
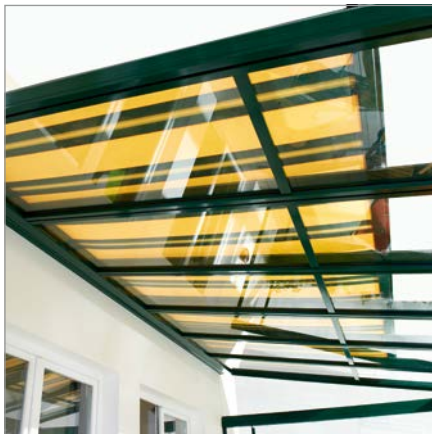
Triangular infill with glass retaining/wall connection profile (C) and centre strut (option)



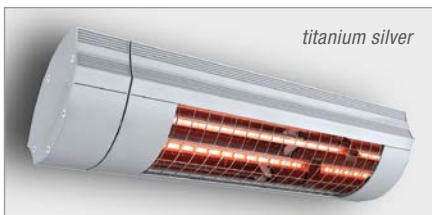
Creating a cosy feel: the radiant heater



*Why get up?
The remote control is always to hand.*



white (RAL 9010)



titanium silver



Sun and wind sensor

Electric motor

Glass joint

In the case of divided glass panels, the glass joint is concealed by strips in the frame colour, which thus create a decorative element.

- the position of the glass joint (division of glass panels) is freely selectable

Patio heater

Provides cosy warmth under the awning, even on chilly days.

- 2000 watts, tilt range 30°, provides uniform heating in a surrounding area of up to 16 m², instant heat emission with no warm-up phase
- Optional:
radio dimmer + hand-held transmitter

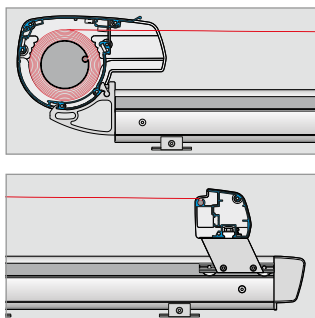
(No mounting on awning or cassette possible, wall mounting required!)

Radio remote control, automatic weather monitoring

With the **radio remote control**, all radio-controlled electrical components can be conveniently operated using a single controller, eliminating annoying control cabling on the wall. The **sun and wind sensor** gauges the sun and wind – and the awning is extended and retracted automatically!

LEWENS awnings are fitted with high-quality **Somfy** power components.

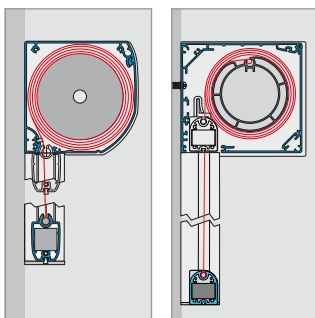
SUPPLEMENTARY PRODUCTS



CAPRI ROOF-MOUNTED AWNING

Mounted externally on the glass roof, the CAPRI awning offers the optimum protection from the sun's rays and prevents the build-up of heat in the room below.

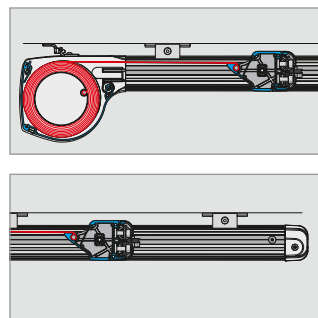
- ▶ Width: 1 unit up to 700 cm max.;
2 linked units up to 1200 cm
Drop 600 cm max.
- ▶ Motor drive
- ▶ Flexible installation: the lateral guide rails can be set symmetrically in a range of 7 to 80 cm from the outside edge.
- ▶ Options: radio remote control, sun and wind sensor



MICRO 850/1000 (Z) and 4000 Z VERTICAL SCREEN AWNING

These vertical awnings offer additional enhancements to your glass roof: perfect shade and privacy while enabling you to retain a view of the outside.

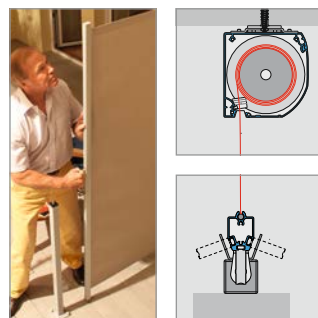
- ▶ Lateral tracks with or without lateral fabric guide (Z)
- ▶ Panel widths (1 panel/motor drive):
MICRO 850 max. 300 cm, MICRO 850 Z max. 275 cm;
MICRO 1000/1000 Z: max. 400 cm, linked system possible
MICRO 4000 Z: max. 550 cm (up to 300 cm high)
- ▶ Unit heights:
MICRO 850 max. 250 cm, MICRO 850 Z max. 175 cm;
MICRO 1000: max. 375 cm, 1000 Z: max. 350 cm
MICRO 4000 Z: 600 cm (up to 300 cm wide)
- ▶ Fabrics: glass fibre screen fabric (all models)
Micro 850/1000 (Z): also Soltis 92 and blackout fabrics



ANCONA - INTERIOR and ROOF-MOUNTED AWNING

This smart sun and heat shade is fitted on or under the glass roof. The Interior type awning stays dry, clean and optimally protected against wind and weather.

- ▶ Width: up to 600 cm max. (minimum width 200 cm)
Drop 450 cm max.
- ▶ Motor drive
- ▶ Installation on rafters of glass roof or conservatory.
- ▶ Options: radio remote control, sun sensor



MICRO 700 SIDE SCREEN AWNING

The MICRO 700 side screen awning turns your patio into your refuge, affording privacy and protection from the sun and wind as well as a holiday atmosphere.

- ▶ Unit height max. 250 cm
- ▶ Extension max. 400 cm
(depending on unit height and fabric)
- ▶ Manual operation
- ▶ Includes post and wall mounting bracket,
other brackets possible (extra charge)
- ▶ Fabrics: acrylic, Soltis 92 and polyester

You'll find further information in our "SCREEN", "GLASS ROOF AWNINGS" and "MICRO 700" brochures.

SYSTEM IN DETAIL



FLUSH Type

On this type the rainwater drains via the rafters, the gutter and the posts.

- Delivered as standard with one drain, further drains optional
- Position and orientation of drain can be selected



OVERHANG Type

On this type the rainwater drains via the gutter, water spout and rain chain.

- Drain pipe (water spout): aluminium
- Projection beyond gutter approx. 25 cm
- High-grade steel rain chain
- Delivered as standard with one drain + chain, further drains/chains optional



Pitch angle and flush connection

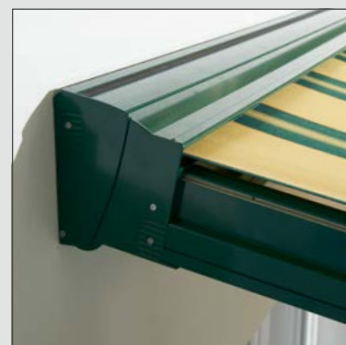
Since the end points of the rafters sit directly on rounded supports on the gutter, this facilitates a roof pitch of 3-20° (MURANO VETRO and INTEGRALE) or 3-10° (MURANO PURO). Due to the glass bearing strip at the foot, the glass ends flush at the gutter.



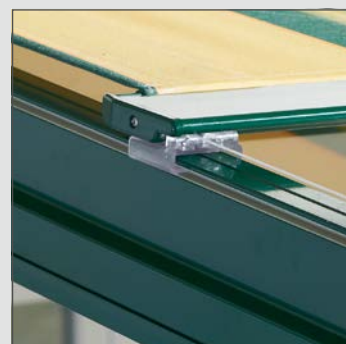
MURANO PURO: flat end caps on casing and rain gutter



Flush wall fitting easily remedies areas of unevenness



MURANO INTEGRALE: The cassette is concealing the integrated awning system



Lateral guide and a 5 mm spacing from the rail prevents soiling



Minimal light gap, because the front profile is taken out over the gutter

TECHNICAL DATA

MURANO GLASS ROOFS



MODEL	MURANO PURO	MURANO VETRO	MURANO INTEGRALE
TYPES and STYLES <i>(see also drawings page 19)</i>	Roof FLUSH (B) Posts outside (B1) or recessed (B2) – if recessed (B2): posts always recessed up to 1/5 – outside flush style (B1): always possible with 3 posts, not in all widths with 2 posts <i>(depending on unit size and snow load zone)</i> – for larger widths the stronger gutter (purlin) of MURANO VETRO model used if necessary <i>(depending on unit size and snow load zone)</i> , however, gutter with flat end cap	Roof FLUSH (B) and roof with OVERHANG (Ü) Posts outside (B1, Ü1) or recessed (B2, Ü2) – if recessed styles (2): posts always recessed precisely to 1/6 – on “Ü” types: minimum overhang 30 cm, maximum overhang 100 cm – with 3 posts all types possible without steel reinforcement	
Width 1 unit	max. 540 cm	max. 700 cm	<i>Depending on the type, style and snow load zone</i> – the purlin (cross-member) is reinforced by a steel section inside
Depth	max. 350 cm	max. 500 cm	– not all styles are possible in all formats with just 2 posts.
Linked systems		Several identical glass roofs can be linked “invisibly”. To do this, special lateral elements are inserted into the cassette to permit a “jointless” connection. Just one rafter is used at the connection point to render the link invisible. If external supports are used, just one support is used at the connection point.	
Roof pitch	3° - 10° (stepless) <i>(a pitch angle of at least 5° is recommended on account of improved water drainage)</i>	3° - 20° (stepless) <i>(a pitch angle of at least 5° is recommended on account of improved water drainage)</i>	
Rafter spacings	max. 120 cm, depending on type, unit size and snow load zone		
Post height	max. 600 cm (standard: 300 cm)		
Construction height	Dependent on depth selected and roof pitch <i>(between 3° and 10°)</i>	Dependent on depth selected and roof pitch <i>(between 3° and 20°)</i>	

Centimetre-accurate manufacture in all intermediate widths!

Drive			Motor drive (electric motor)
Installation	– supplied including wall console section <u>without</u> mounting screws and plugs. – posts <u>without</u> mounting screws and plugs – with integral downpipe to bottom edge of post, without connections	– supplied including wall console section <u>without</u> mounting screws and plugs. – posts <u>without</u> mounting screws and plugs – type Ü supplied including 1 rain chain (high-grade steel) and water spout – type B with integral downpipe to bottom edge of post, without connections	
Glazing	– The glass roofs must be glazed using float glass (laminated safety glass) in a thickness of 8, 10 or 12 mm or twinwall sheets 16 mm thick. – For drops greater than 450 cm only glass 8mm thick or twinwall sheets may be used.		
Frame colours	– 17 RAL colours and 6 textured finishes to choose from – Special RAL (extra charge) – Special colours and effect finishes on request		
Awning fabrics <i>from the Lewens collection</i>			– Branded acrylic , spun-dyed, ultra fade resistant – All seams of Tenara yarn – With corner reinforcement and side seam (10 cm)
Options	<ol style="list-style-type: none"> Glass walls Radiant heater LED modules / LED spot track Glass joint Lateral connection profile/various profiles Support frame 		<ol style="list-style-type: none"> Glass walls Radio remote control/electric motor with integral radio control Sun/wind/rain monitoring Radiant heater LED modules / LED spot track Glass joint Lateral connection profile/various profiles Support frame

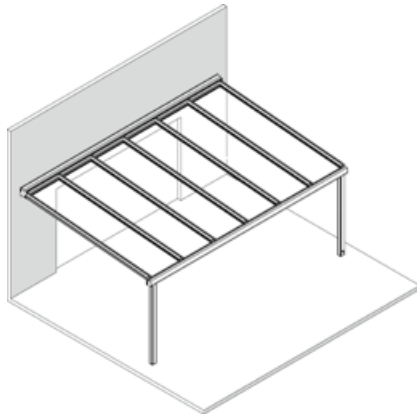
Please refer to the technical data in the current Lewens price list for possible dimensions and restrictions as well as the complete range of electronic accessories.

TYPES AND STYLES

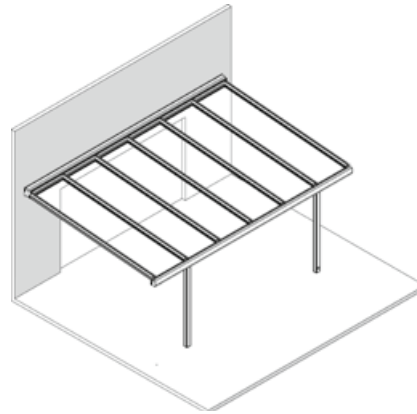
We offer the MURANO VETRO and MURANO INTEGRALE models in all the following types and styles. The MURANO PURO is only available in the flush-mounted styles B1 and B2.

You can find the possible types and styles for the respective dimensions and snow load zones in the price lists.

FLUSH (B) TYPE

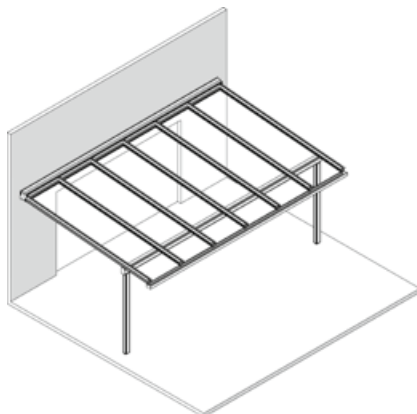


- B1** flush, posts on outside
- B1s** as B1, with steel reinforcement (**not** MURANO PURO)
- B1v** as B1, with Murano Vetro gutter (**only** MURANO PURO)

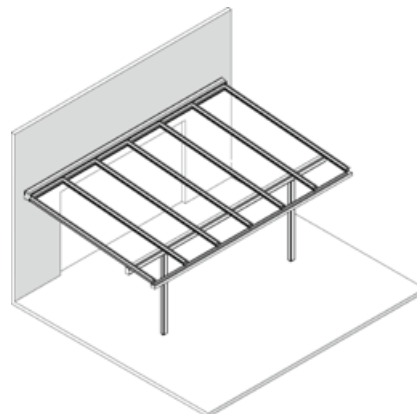


- B2** flush, posts recessed
- B2s** as B2, with steel reinforcement (**not** MURANO PURO)
- B2v** as B2, with Murano Vetro gutter (**only** MURANO PURO)

OVERHANG (Ü) TYPE



- Ü1** purlin overhang, posts on outside
- Ü1s** as Ü1, with steel reinforcement

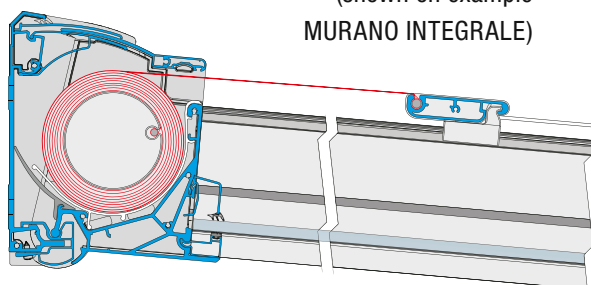


- Ü2** purlin overhang, posts recessed
- Ü2s** as Ü2, with steel reinforcement

ROOF PITCH

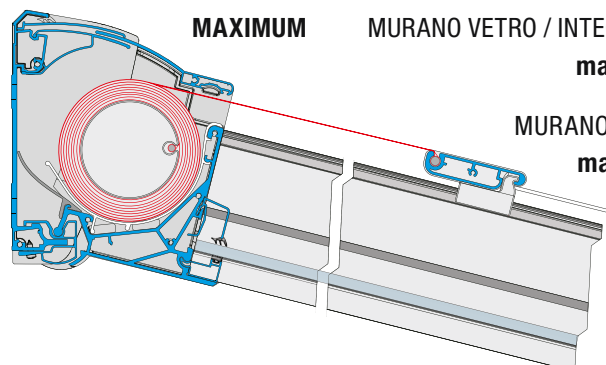
MINIMUM

all models: **min. 3°**
(shown on example
MURANO INTEGRALE)



MAXIMUM

MURANO VETRO / INTEGRALE
max. 20°
MURANO PURO
max. 10°



FITTING

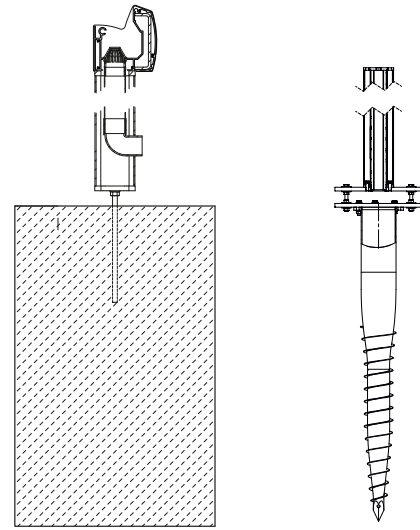
MURANO glass roofs can be installed on virtually any patio without any great effort:

- ▶ MURANO glass roofs from Lewens are delivered as a **construction kit** manufactured with centimetre accuracy
- ▶ Assembly can be carried out by a specialist fitter without any special tools
- ▶ **Screw-in foundations** can be used instead of conventional **concrete foundations** for the posts, enabling the glass roof to be erected on the same day (see illustration right)

FOUNDATIONS

Concrete foundation

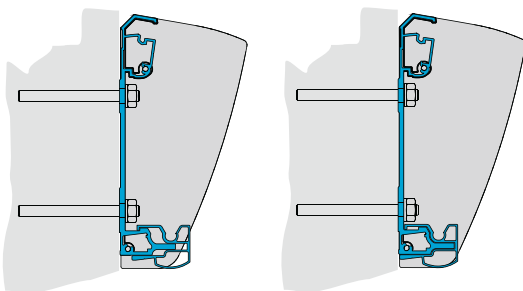
Screw-in foundation



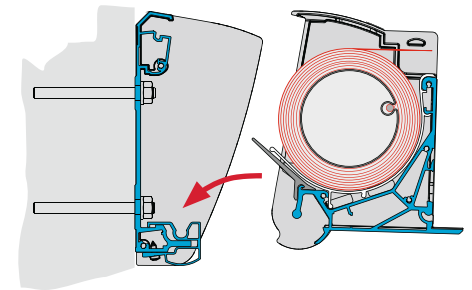
WALL ATTACHMENT

Illustration: MURANO INTEGRALE

Insertion of fabric cassette

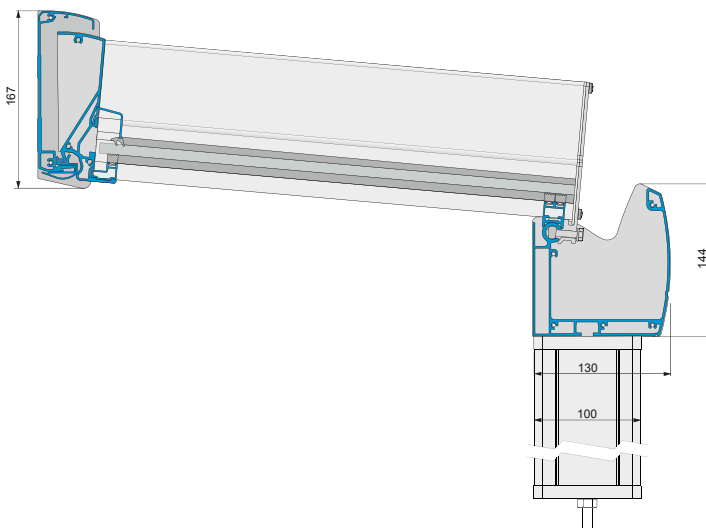


*The bearing profile on which the cassette is mounted permits a tolerance, enabling any unevenness in the wall surface of up to 1 cm to be equalised without difficulty.
Uneven areas exceeding 1 cm can be equalised using padding blocks.*

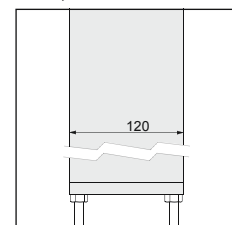


MURANO PURO

FLUSH type – B



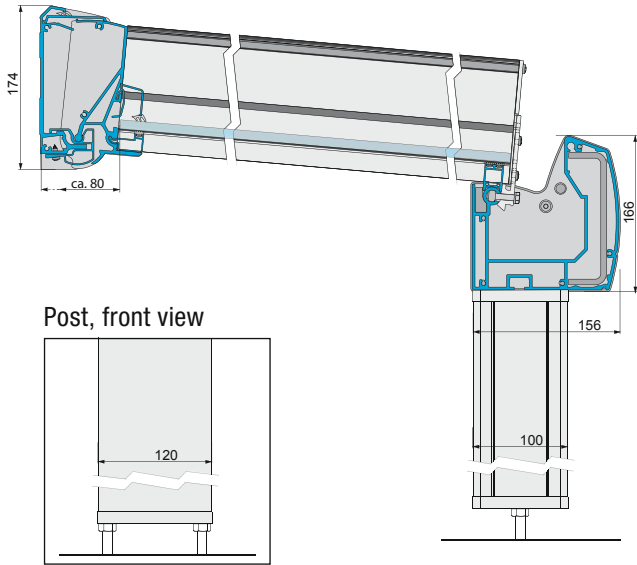
Post, front view



FITTING

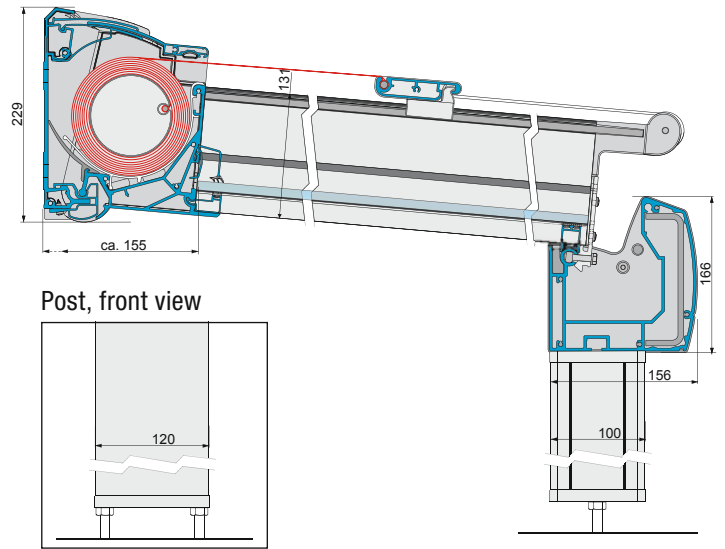
MURANO VETRO

FLUSH type – B

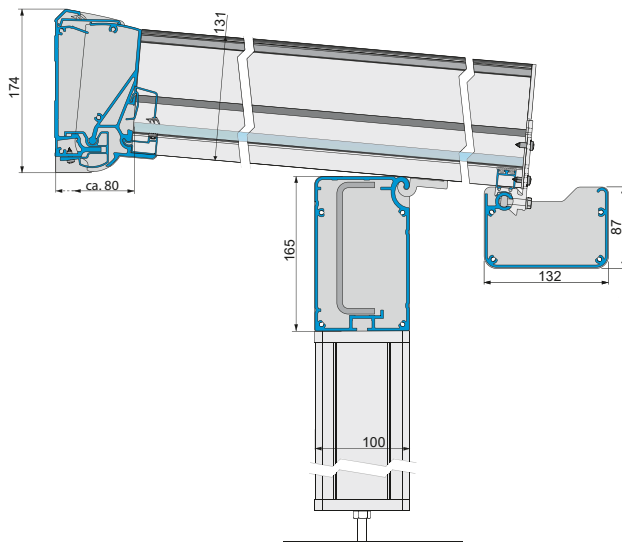


MURANO INTEGRALE

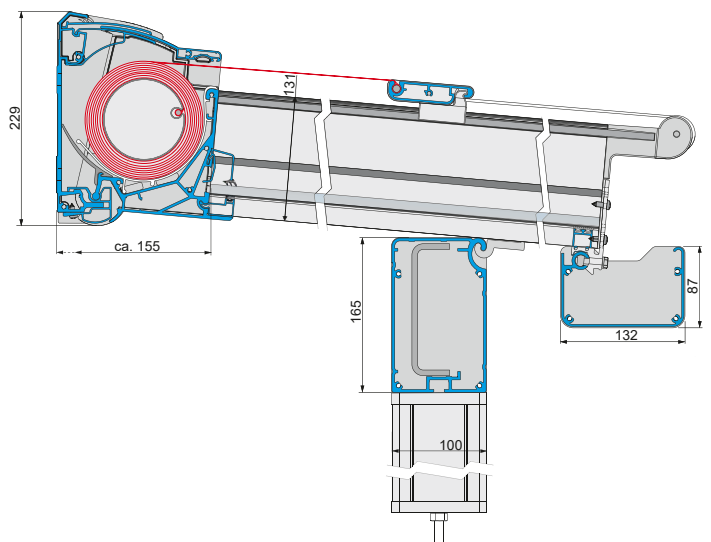
FLUSH type – B



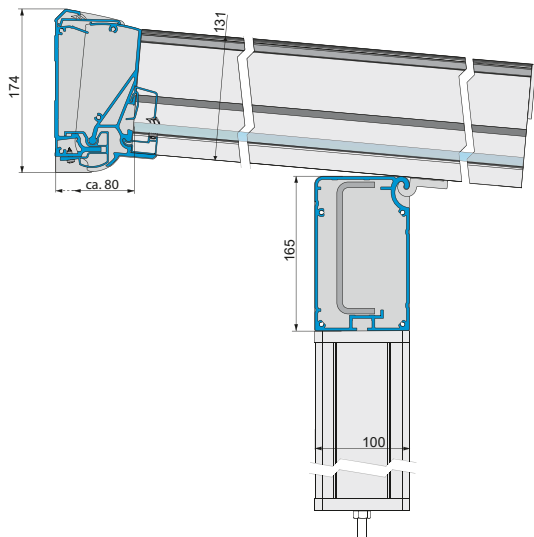
OVERHANG type – Ü with gutter (standard)



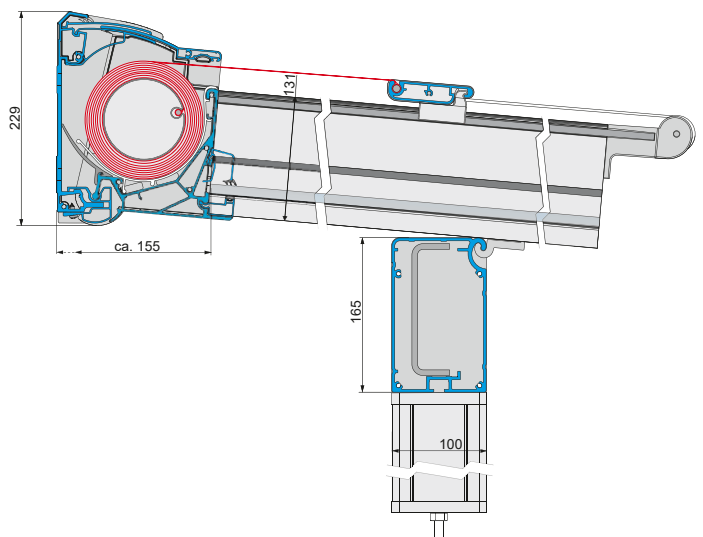
OVERHANG type – Ü with gutter (standard)



OVERHANG type – Ü without gutter


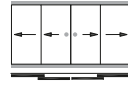
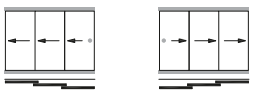

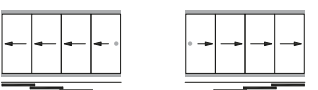
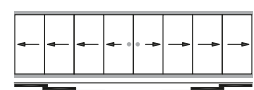

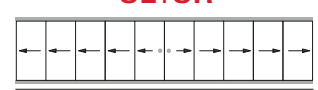


OVERHANG type – Ü without gutter



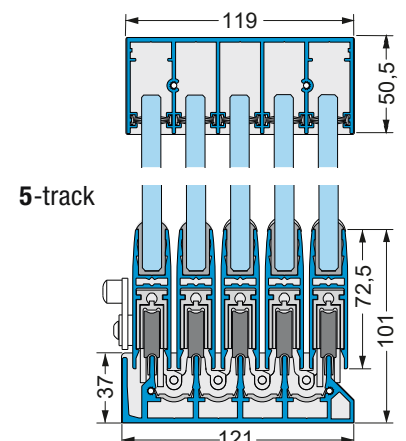
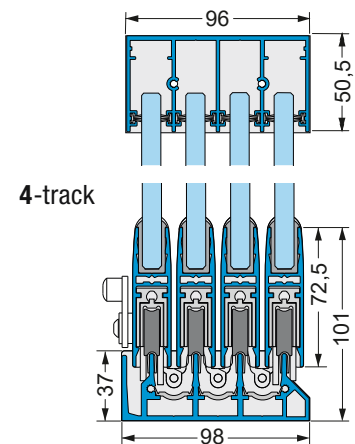
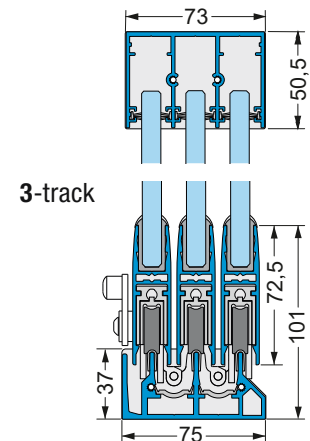
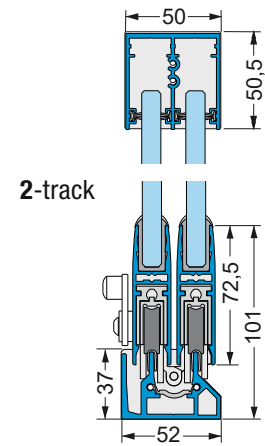
TECHNICAL DATA / FITTING

GLASS WALLS

TYPE	SIDE-OPENING	CENTRE-OPENING
Width 2-track	max. 330 cm	max. 540 cm
<p>2L or 2R</p> <p><i>Sketches show the side walls from inside.</i></p>  <p>2 panels on 2 rails open to left <u>or</u> to right</p>	<p>2L+2R</p>  <p>4 panels on 2 rails open to left <u>and</u> right</p>	
Width 3-track	max. 470 cm	max. 720 cm
<p>3L or 3R</p>  <p>3 panels on 3 rails open to left <u>or</u> to right</p>	<p>3L+3R</p>  <p>6 panels on 3 rails open to left <u>and</u> right</p>	
Width 4-track	max. 520 cm	max. 920 cm
<p>4L or 4R</p>  <p>4 panels on 4 rails open to left <u>or</u> to right</p>	<p>4L+4R</p>  <p>8 panels on 4 rails open to left <u>and</u> right</p>	
Width 5-track	max. 580 cm	max. 1150 cm
<p>5L or 5R</p>  <p>5 panels on 5 rails open to left <u>or</u> to right</p>	<p>5L+5R</p>  <p>10 panels on 5 rails open to left <u>and</u> right</p>	
Width of single elements from min. 60 cm to max. 170 cm (depending on overall width and type), overlap of single elements 5 cm		
Height <i>toughened safety glass</i>	8 mm	max. 230 cm
	10 mm	max. 260 cm

Centimetre-accurate manufacture in all intermediate dimensions!

Installation	<ul style="list-style-type: none"> – supplied including bottom running rail, top guide rail and end sections – supplied without installation materials – superimposed or recessed bottom running rail optional, max. installation depth 35 mm
Glazing	including float glass (toughened safety glass) in 8 or 10 mm
Colours	<ul style="list-style-type: none"> – 17 RAL colours + 6 textured finishes to choose from; – special RAL (extra charge); – special colours and effect finishes on request – bottom running rail always anodized
Hardware	<ul style="list-style-type: none"> – End caps in frame colour – Recessed handles: brushed and polished stainless steel
Options	<ul style="list-style-type: none"> – cross member + accessories – required for use as glass roof – retaining strips or retainer clips for triangular infill above side wall – wall connecting profile
Note	<p><i>Glass walls must be parked when open.</i></p> <p><i>Closed parking of the glass walls only permissible with all-round glazing of the glass roof installation, max. wind load zone 2 and actual closure of all glass walls.</i></p>



Please refer to the technical data in the current Lewens price list for possible dimensions and restrictions.

FRAME COLOURS

Lewens offers you a broad spectrum of **standard frame colours at no extra charge** for all glass roof systems:

STANDARD RAL		
	1015	Light ivory
	3002	Carmine red
	3003	Ruby red
	3004	Purple red
	5002	Ultramarine blue
	5005	Signal blue
	6005	Moss green
	6009	Fir green
	7016	Anthracite grey
	7024	Graphite grey
	8019	Grey brown
	8077	Dark brown
	9001	Cream
	9006	White aluminium
	9007	Grey aluminium
	9010	Pure white
	9016	Traffic white
STANDARD TEXTURED FINISHES		
	Textured finish RAL 7016	Anthracite grey, fine texture, matt
	Textured finish RAL 9005	Jet black, fine texture, matt
	Textured finish RAL 9007	Grey aluminium fine texture, matt
	Textured finish SL 92	Terra / brown
	Textured finish SL 93	Grey / marble
	Textured finish SL 94	DB 703 fine texture

(Colour differences may result from the printing process.)

SPECIAL COLOURS	
Special RAL <i>(please see current Lewens price list for selection)</i>	Extra charge
Special colours and effect finishes: – all non-listed RAL colours – fine and coarse texture – metallic finishes – pearlescent/glimmer-effect finishes – NCS colours	On request

AWNING FABRICS



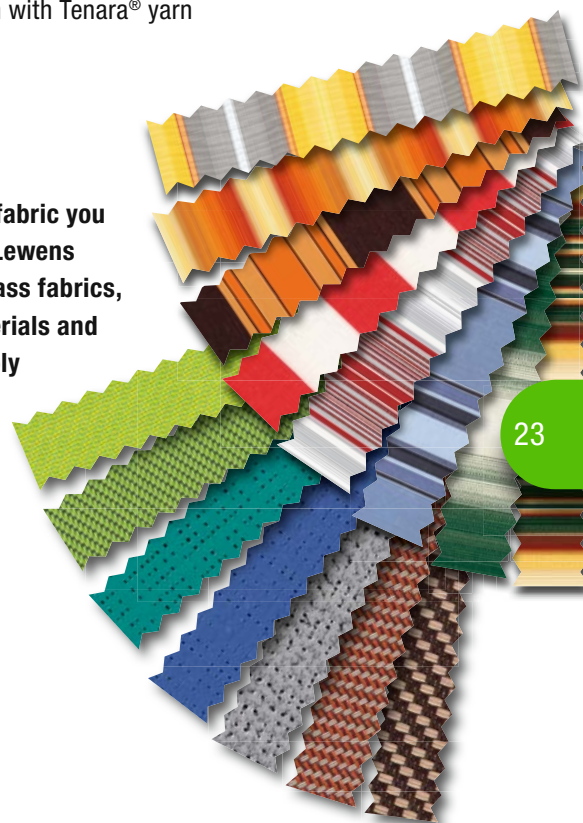
With more than 300 samples to choose from, the Lewens collection offers you acrylic and polyester fabrics and also air-permeable screen and Soltis woven fabrics across the entire colour spectrum.

Lewens awning fabrics have been created especially to provide shade outdoors and are treated to make them water- and dirt-repellent. We make the awnings up using the latest sewing techniques for distortion-free seams and also using ultrasonic bonding. We have designed our manufacturing facility so that the awning fabrics can be laid out entirely flat (not folded) for making up.

Some of our quality features for glass roof awnings:

- ▶ Secure lockstitch used for making up
- ▶ Seams on top and bottom neatened (clean completion)
- ▶ Repeat-symmetrical completion left and right
- ▶ All seams sewn with Tenara® yarn

No matter which fabric you choose from the Lewens collection, top-class fabrics, high-quality materials and a modern assembly method will guarantee you many years of pleasure from your awning.

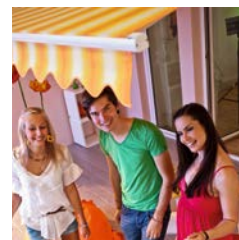


WE GUARANTEE



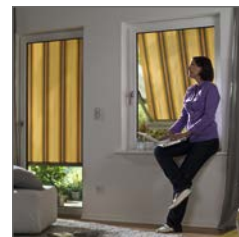
L.UST FOR LIFE

means being able to enjoy the summer outdoors without fear of sunburn, well protected against the heat and glare. Lewens awnings don't just provide shade, they are capable of more: they help us to enjoy the best aspects of summer.



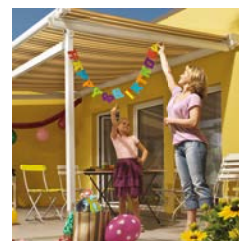
I.NTELLIGENCE

isn't just in the head. Sometimes it is to be found elsewhere, in the technical details and workmanship of high-quality Lewens awnings and glass roofs – so that you, the user, can operate our products without any problems and can find a suitable solution for any task.



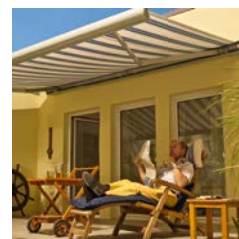
F.REEDOM

always has something to do with freedom of choice. Whether it's an awning for a small balcony or large patio, a solution for your conservatory or a glass roof for your garden that you need, Lewens specialist dealers provide professional advice and assembly. They are also happy to help you choose the colours and fabrics – so that you are entirely satisfied with every aspect of your Lewens product!



E.ASY LIVING

is now more in demand than ever. Everyday life is stressful enough, the world turns ever faster and the pace of news quickens. It's good to have time to unwind and be able to relax with family and friends. It is precisely for these valuable occasions that we have created our products.



CERTIFICATION

TÜV-approved quality and CE Standard (EN 1090, EN 13561): Look for the seal and the mark that guarantee the technical safety of our products.

Branded goods from Germany: Lewens products are manufactured and assembled in Germany – quality “made in Germany”!

Your stockist will be happy to advise you:



Lewens
MARKISEN

*Just
enjoy life!*

www.lewens-markisen.de

