



terrace awning

Casablanca

CASSETTE	yes
ROLLER TUBE	78 mm diameter
MOUNTING	wall, ceiling, roof
PROJECTION	1.6 m; 2.1 m; 2.6 m; 3.1 m; 3.6 m
MAXIMUM PROJECTION	3.6 m
MAXIMUM WIDTH	6.0 m
MINIMUM WIDTH	projection + 0.4 m
ARMS	folding, aluminum, with springs and plate Flyer's chain, folded arm levelling
OVERLAPPING ARMS	no
TELESCOPIC SUPPORT	no
TILT ANGLE	5° ~ 40°
CONSTRUCTION COLOUR	powder coating: white, beige, brown, structural graphite, silver
FABRIC	over 150 patterns
VALANCE	no
MANUAL OPERATION	crank: 1.5 m; 1.8 m; 2.2 m
AUTOMATIC DRIVE	motor, motor with manual override, remote control, wind-sun weather control, motor with electronic limit switches is recommended

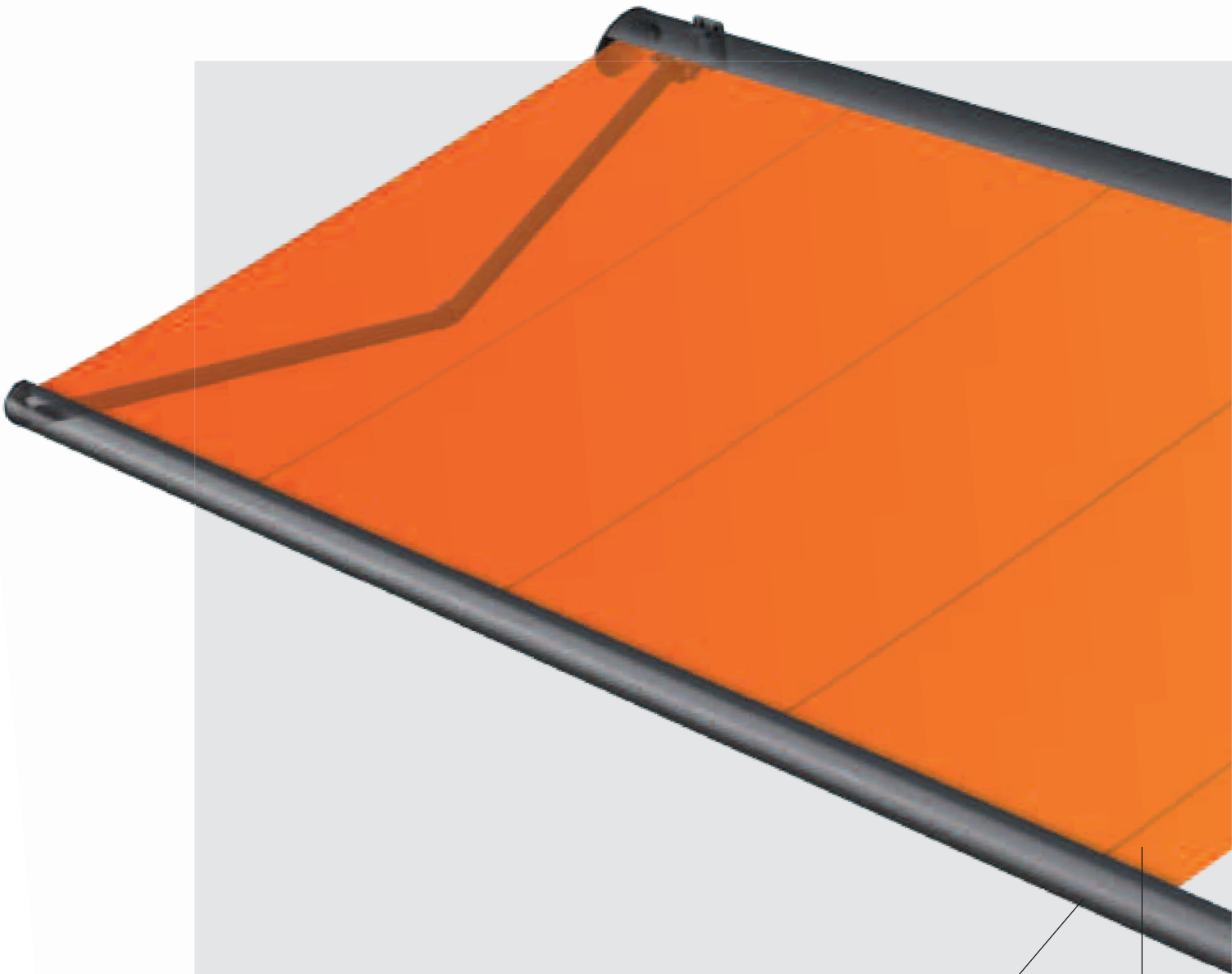


Casablanca is a cassette awning perfect for large terraces. Thanks to its built this awning is not only a perfect way of protecting from the sun, but also an aesthetic decorative part of the building. Specially designed construction from extruded aluminium ensures strength and durability of the awning, and Flyer's chain used in the arms guarantees its long-term dependable operation. Wide awnings are equipped with roller tube support to ensure that the fabric is evenly tightened. Special gaskets placed in the cassette further protect the fabric from weather conditions. What is more, properly selected electric control with weather sensors will make handling the Casablanca awning very easy and functional.



terrace awning

Casablanca



construction colours

For powder coating Selt company uses paints provided by renowned Swiss company - IGP. Using the IGP-DURA@Clean powders gives us a coating characterized by a surface that is resistant to dirt and easy to maintain.



Powderful Solutions.



RAL 9010



RAL 1015



RAL 8014



71319



RAL 9006

Crank and gearbox are available in following colours: RAL 9010, RAL 1013, RAL 8017, RAL 7035, RAL 7016.

fabric

All of the acrylic fabrics are impregnated using the protective agents TEFLON or SCOTCHGARD. They provide excellent protection and strengthen the fabric's resistance to water and dirt. It is important to remember that conditions such as acid rain, organic matter contamination and cleaning the fabric with abrasive chemicals may destroy the protective surface of the fabric.



construction

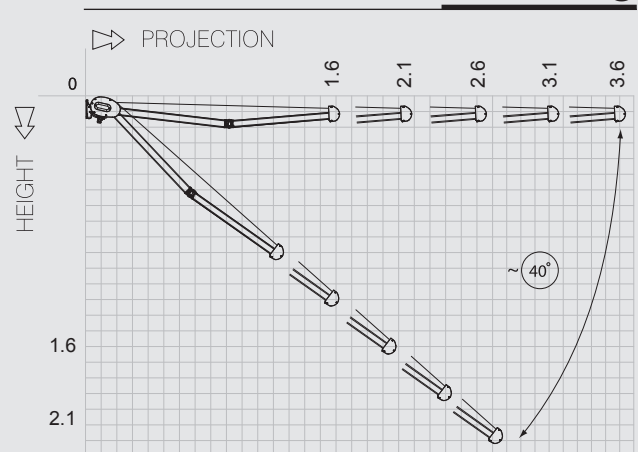
Construction is made from extruded aluminium. Aluminium arms are placed on brackets made by pressure casting, which ensures durability and stability of the construction.

automation

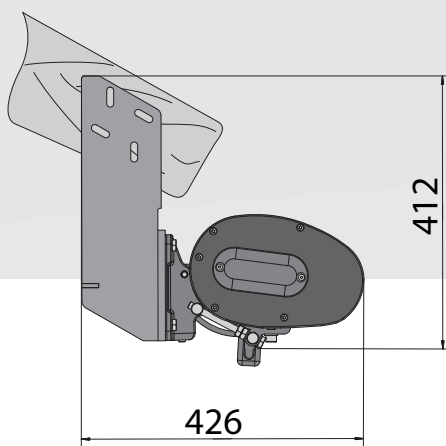
We offer such solutions from leading European manufacturers as: full wind and sun automation, motors with wireless or wire control and cranks.



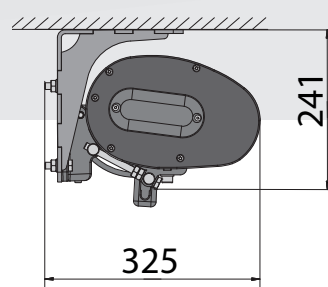
mounting



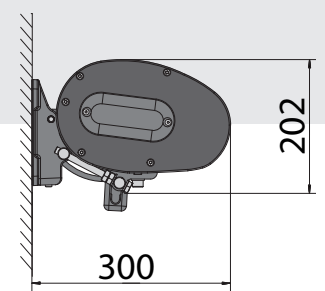
Tilt angle adjustment



Mounting on the rafters



Mounting on the ceiling



Mounting on the wall